

Eastgate Bench BX 2023-BP



Standard Unit Dimensions:

Length: 1800mm
Width: 892mm
Height: 482mm
Weight: 110kg

Framework Colours/Finishes:

RAL 9005 Jet Black	RAL 9016 Traffic White	RAL 7016 Anthracite Grey
RAL 5013 Cobalt Blue	BS 4800 20 C 40 Duchess Blue	BS 4800 00 A 05 Goose Grey
RAL 6005 Green	BS 4800 14 C 39 Holly Green	BS 4800 18 B 25 Admiral Grey
RAL 5015 Sky Blue	RAL 3020 Traffic Red	RAL 1023 Traffic Yellow

The colours shown are a guide only.
Please check a colour chart to see the actual colour.

Product Information

This beautifully wide bench helps to make the most of any setting. Inviting iroko hardwood slats sit on top of a decorative cast iron frame to give stability and comfort. A simple but effective addition to any outside area.

Features

- Traditional style cast iron seat with hardwood slats
- Ideal for parks, gardens and recreational areas
- Frame painted in a single Broxap RAL or BS colour

Materials Used

- Cast Iron
- Hardwood iroko slats

Other Materials Available

- Recycled plastic slats

Broxap Limited, Rowhurst Industrial Estate, Chesterton, Newcastle-under-Lyme, Staffordshire, ST5 6BD T: 01782 564411 E: info@broxap.com W: www.broxap.com



ISO 9001
Quality Management
Systems
CERTIFIED

ISO 14001
Environmental
Management
CERTIFIED

ISO 45001
Occupational
Health and Safety
Management
CERTIFIED

IRM 202178

EMS 45525

ONS 547079



SSIP
Core Criteria

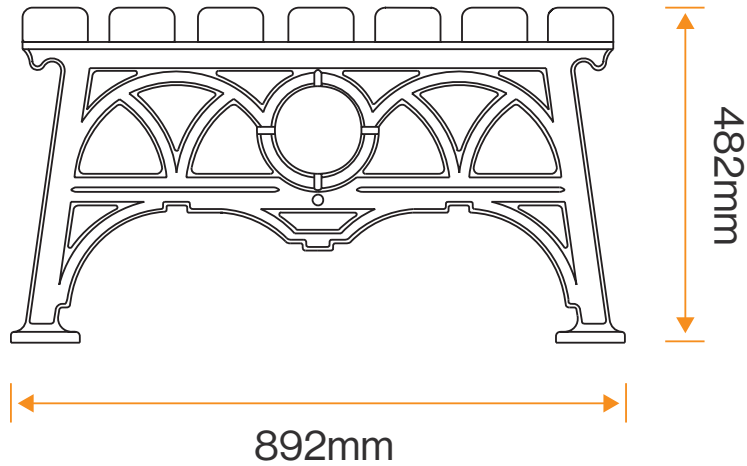


Eastgate Bench BX 2023-BP

Options

- Available with either mild steel or recycled plastic slats - POA
- Highlighting and crests are available at an extra cost.

Diagram



Standard Unit Dimensions:

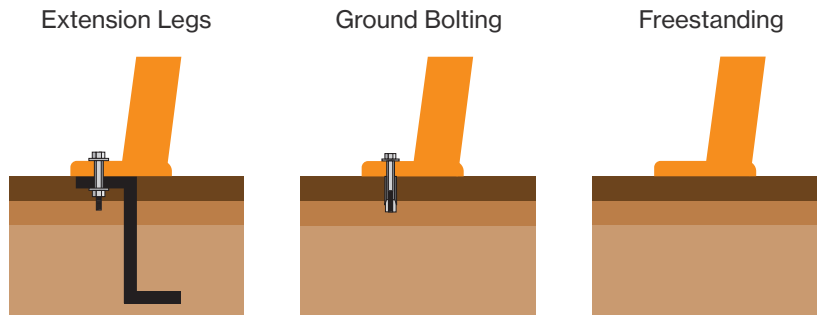
Length: 1800mm
Width: 892mm
Height: 482mm
Weight: 110kg

Framework Colours/Finishes:

RAL 9005 Jet Black	RAL 9016 Traffic White	RAL 7016 Anthracite Grey
RAL 5013 Colbalt Blue	BS 4800 20 C 40 Duchess Blue	BS 4800 00 A 05 Goose Grey
RAL 6005 Green	BS 4800 14 C 39 Holly Green	BS 4800 18 B 25 Admiral Grey
RAL 5015 Sky Blue	RAL 3020 Traffic Red	RAL 1023 Traffic Yellow

The colours shown are a guide only.
Please check a colour chart to see the actual colour.

Installation



Broxap Limited, Rowhurst Industrial Estate, Chesterton, Newcastle-under-Lyme, Staffordshire, ST5 6BD T: 01782 564411 E: info@broxap.com W: www.broxap.com

