

Ravenstone Seat B930



Standard Unit Dimensions:

Length: 1500mm
Width: 600mm
Overall Height: 800mm
Seat Height: 480mm

Colours/Finishes:



Stainless Steel

The colours shown are a guide only.
Please check a colour chart to see the actual colour.

Product Information

Clean and modern, the Ravenstone Seat offers design flexibility. Created to complement a wide range of street furniture in the Broxap catalogue, it can be manufactured to various dimensions with the frame available in mild steel or stainless steel. Finished with hardwood slats.

Features

- Contemporary stainless steel seat
- Individual continuous seat and backrest with hardwood kambala slats
- The standard surface is brushed, bead-blasted, and electropolished to a matte finish
- This unit is root fixed as standard

Materials Used

- Grade 304 stainless steel
- Hardwood kambala slats

Other Materials Available

- Mild steel

Broxap Limited, Rowhurst Industrial Estate, Chesterton, Newcastle-under-Lyme, Staffordshire, ST5 6BD T: 01782 564411 E: info@broxap.com W: www.broxap.com

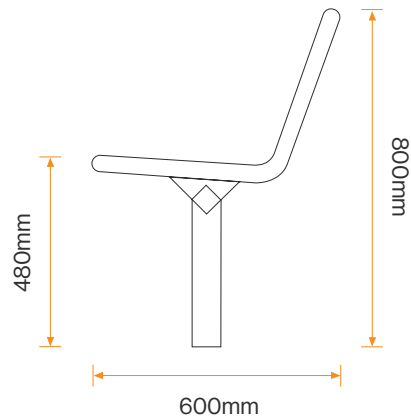


Ravenstone Seat B 930

Options

- Framework manufactured from mild steel or stainless steel
- Integral armrest
- Root, surface or wall mounted fixings
- Range of RAL colour finishes
- Different lengths available: 2 seater - 1100mm, 3 seater - 1500mm, 4 seater - 1800mm
- Available baseplated or root fixed

Diagram



Standard Unit Dimensions:

Length: 1500mm
Width: 600mm
Overall Height: 800mm
Seat Height: 480mm

Colours/Finishes:

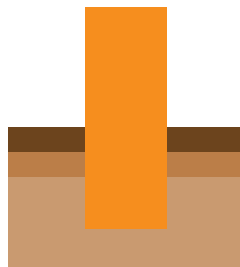


Stainless Steel

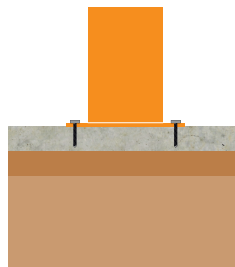
The colours shown are a guide only.
Please check a colour chart to see the actual colour.

Installation

Root/Submerged Fixing



Surface Mounted Baseplate



Broxap Limited, Rowhurst Industrial Estate, Chesterton, Newcastle-under-Lyme, Staffordshire, ST5 6BD T: 01782 564411 E: info@broxap.com W: www.broxap.com

