

Ickenham Seat
B930



Standard Unit Dimensions:

Length: 1750mm
 Width: 600mm
 Overall Height: 800mm
 Seat Height: 480mm

Colours/Finishes:



Stainless Steel

The colours shown are a guide only.
 Please check a colour chart to see the actual colour.

Product Information

This modern street furniture design brings together flexibility and graceful style. With a stainless steel frame and iroko slatted seat and backrest, the Ickenham Seat comes in a contemporary three-person format with two, four, five and six-person configurations also available.

Features

- Contemporary stainless steel seat
- Individual seats and backrest with Iroko Kambala hardwood slats
- The standard surface is brushed, bead-blasted, and electropolished to a matte finish
- This unit is root fixed as standard

Materials Used

- Grade 304 stainless steel
- Iroko Kambala hardwood slats

Other Materials Available

- Mild steel

Broxap Limited, Rowhurst Industrial Estate, Chesterton, Newcastle-under-Lyme, Staffordshire, ST5 6BD T: 01782 564411 E: info@broxap.com W: www.broxap.com

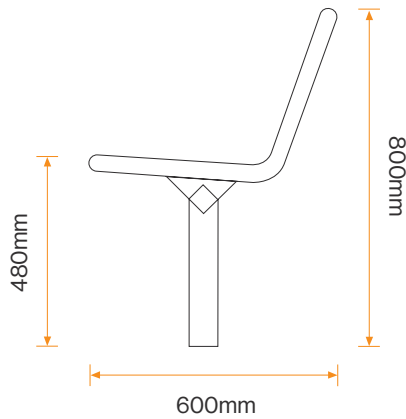


Ickenham Seat B930

Options

- Constructed from timber and stainless steel
- Integral armrest
- Root or surface mounted fixings
- Range of RAL colour finishes
- Different lengths available: 2 seater - 1150mm, 3 seater - 1750mm, 4 seater - 2350mm, 6 seater - 3550mm
- Available baseplated or root fixed

Diagram



Standard Unit Dimensions:

Length: 1750mm
Width: 600mm
Overall Height: 800mm
Seat Height: 480mm

Colours/Finishes:

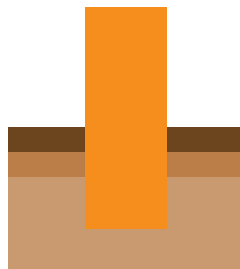


Stainless Steel

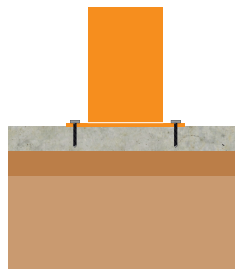
The colours shown are a guide only. Please check a colour chart to see the actual colour.

Installation

Root/Submerged Fixing



Surface Mounted Baseplate



Broxap Limited, Rowhurst Industrial Estate, Chesterton, Newcastle-under-Lyme, Staffordshire, ST5 6BD T: 01782 564411 E: info@broxap.com W: www.broxap.com

