

Derby Quad Recycling Bin BX45G 2550-QUAD



Standard Unit Dimensions:

Height: 1100mm

Width: 1830mm

Depth: 535mm

Capacity: 480 Litres (4 x 120 litres)

Colours/Finishes:

RAL 6005 Moss Green	RAL 7016 Anthracite Grey	RAL 9005 Jet Black
RAL 9006 White Aluminium	RAL 5015 Sky Blue	RAL 5002 Ultramarine Blue
RAL 4010 Telemagenta	RAL 3020 Traffic Red	RAL 1023 Traffic Yellow
BS 4800 14 C 39 Holly Green		

The colours shown are a guide only.
Please check a colour chart to see the actual colour.

Product Information

The Derby Quad recycling bin is a unique litter bin that houses four galvanised steel liners which are accessed from doors on both sides. This Litter and recycling bin can be used as litter only, litter and recycled item, litter and co-mingled or a full combination of recycled materials

Features

- Pyramid lid as standard
- 2mm galvanized steel with heavy duty side opening doors
- 10mm galvanized steel base
- Laser cut text with gold backing plate (other colours on request), to identify waste products e.g. cans, paper, glass bottles, plastic bottles, mixed waste with the corresponding aperture shape
- Internal partitions to prevent accidental cross contamination
- security locks
- Polyester powder coated to BS EN 6497
- 0.7mm galvanized steel liners with safety top edge and two handles
- 20mm heavy duty stainless steel pivot hinge
- Stainless steel slam lock mechanism
- Hexagonal key operated heavy duty lock.
- 4 colour co-ordinated multi-recyclables posting apertures
- Angled litter direction plates
- Fully refurbishable
- Vinyl "RECYCLE" logo applied to litter sides.
- Any combination of graphics to identify waste products. e.g. cans, paper, glass bottles, plastic bottles, mixed waste, etc

Broxap Limited, Rowhurst Industrial Estate, Chesterton, Newcastle-under-Lyme, Staffordshire, ST5 6BD T: 01782 564411 E: info@broxap.com W: www.broxap.com



ISO 9001
Quality Management Systems
CERTIFIED

ISO 14001
Environmental Management
CERTIFIED

ISO 45001
Occupational Health and Safety Management
CERTIFIED



Derby Quad Recycling Bin BX45G 2550-QUAD

Materials Used

- 2mm galvanized steel
- 10mm galvanized steel base
- 20mm stainless steel bar hinges

Guarantees & Warranties

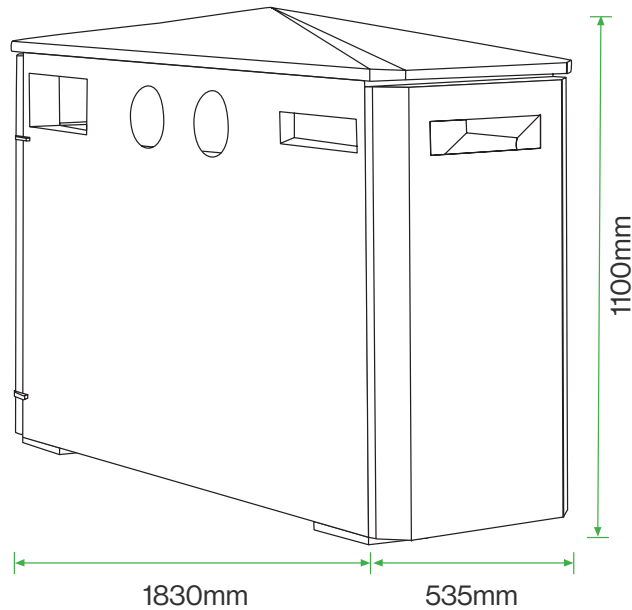
- 12 Year Anti-Perforation Warranty*
- 12 Year Galvanised Steel Base Warranty*
- 2 Year Parts & Labour Guarantee*

*Maintenance and other qualifying criteria apply

Options

- Replacement litter bin liner available
- Also available in stainless steel

Diagram



Standard Unit Dimensions:

Height: 1100mm
Width: 1830mm
Depth: 535mm
Capacity: 480 Litres (4 x 120 litres)

Colours/Finishes:

RAL 6005 Moss Green	RAL 7016 Anthracite Grey	RAL 9005 Jet Black
RAL 9006 White Aluminium	RAL 5015 Sky Blue	RAL 5002 Ultramarine Blue
RAL 4010 Telemagenta	RAL 3020 Traffic Red	RAL 1023 Traffic Yellow
BS 4800 14 C 39 Holly Green		

The colours shown are a guide only.
Please check a colour chart to see the actual colour.

Broxap Limited, Rowhurst Industrial Estate, Chesterton, Newcastle-under-Lyme, Staffordshire, ST5 6BD T: 01782 564411 E: info@broxap.com W: www.broxap.com



ISO 9001
Quality Management Systems
CERTIFIED

ISO 14001
Environmental Management
CERTIFIED

ISO 45001
Occupational Health and Safety Management
CERTIFIED

