

## Land Picnic Bench BX31 2002



### Standard Unit Dimensions:

Length: 2000mm  
Width: 1700mm  
Height: 725mm  
Seat Height: 450mm  
Weight: 150kg

### Colours/Finishes:



Treated Softwood



Hardwood Iroko

The colours shown are a guide only.  
Please check a colour chart to see the  
actual colour.

## Product Information

A satisfyingly solid picnic table and bench unit so users can make the most of the outdoors. The Land Picnic Bench is the perfect addition to transform any dining experience. It gives a modern twist on a classic design.

## Features

- Treated softwood as standard
- Also available in Hardwood Iroko
- Root fixed as standard

## Materials Used

- Treated Softwood

## Other Materials Available

- Hardwood Iroko

## Options

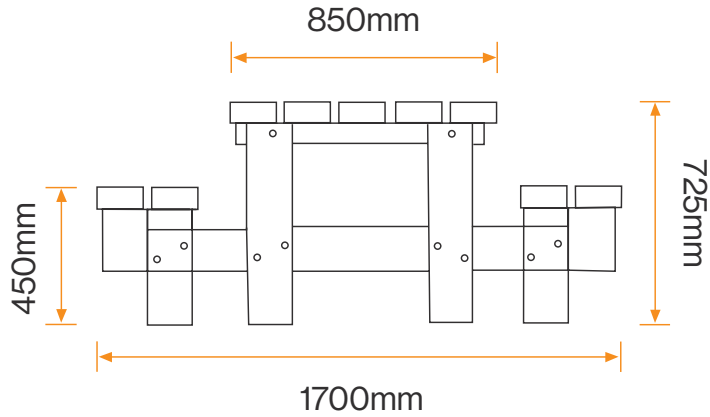
- Can be supplied baseplated with a set of 4no L-shaped brackets for fixing
- Unit can be supplied with FSC Iroko hardwood slats
- Wheelchair options available
- Can be supplied base plated or root fixed

Broxap Limited, Rowhurst Industrial Estate, Chesterton, Newcastle-under-Lyme, Staffordshire, ST5 6BD T: 01782 564411 E: info@broxap.com W: www.broxap.com



Land Picnic Bench  
**BX31 2002**

**Diagram**

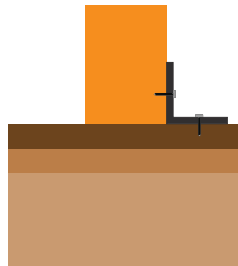


**Installation**

Free Standing Picnic Bench



L-Bracket Surface Fixing



Root/Submerged Fixing



**Standard Unit Dimensions:**

Length: 2000mm  
 Width: 1700mm  
 Height: 725mm  
 Seat Height: 450mm  
 Weight: 150kg

**Colours/Finishes:**



Treated Softwood



Hardwood Iroko

The colours shown are a guide only.  
 Please check a colour chart to see the actual colour.

Broxap Limited, Rowhurst Industrial Estate, Chesterton, Newcastle-under-Lyme, Staffordshire, ST5 6BD T: 01782 564411 E: info@broxap.com W: www.broxap.com



ISO 9001  
 Quality Management Systems  
 CERTIFIED

ISO 14001  
 Environmental Management  
 CERTIFIED

ISO 45001  
 Occupational Health and Safety Management  
 CERTIFIED

