

Queen Mary Entrance Canopy BXMW/QMARY-ENT



Standard Unit Dimensions:

Bespoke sizes available

Colours/Finishes:

Galvanised Only	RAL 9006 White Aluminium	RAL 7016 Anthracite Grey
BS 4800 10 A 07 Nimbus Grey	RAL 3020 Traffic Red	RAL 9005 Jet Black
BS 4800 14 C 39 Holly Green	RAL 1023 Traffic Yellow	BS 4800 00 A 05 Goose Grey
RAL 5015 Mid Blue	RAL 5013 Dark Blue	RAL 9016 Traffic White

The colours shown are a guide only. Please check a colour chart to see the actual colour.

Product Information

The Queen Mary Entrance Canopy is a contemporary canopy with a minimalistic feel. Large circular central uprights and toughened glass supported in glazing bars create a truly eye catching appearance. The Queen Mary Entrance Canopy also comes complete with built in rainwater management to the centre of the canopy.

Features

- Submerged fixing
- Robust, tough construction
- Welded end frames and purlin section made from heavy duty box section
- Assembled with anti-tamper high strength bolts
- Hot dipped galvanized to BS EN ISO 1461:2009

Materials Used

- Framework - Mild steel
- Cladding - 13.5mm Heat soaked and toughened glass
- Fasteners - Zinc plated
- Cover Strips - Aluminium capex

Finish Options (Framework)

- Galvanised to BS EN ISO 1461:2009
- Galvanised to BS EN ISO 1461:2009 & Polyester Powder Coated

Broxap Limited, Rowhurst Industrial Estate, Chesterton, Newcastle-under-Lyme, Staffordshire, ST5 6BD T: 01782 564411 E: info@broxap.com W: www.broxap.com



ISO 9001
Quality
Management
Systems
CERTIFIED

ISO 14001
Environmental
Management
CERTIFIED

ISO 45001
Occupational
Health and Safety
Management
CERTIFIED



Queen Mary Entrance Canopy BXMW/QMARY-ENT



Weather Resistance

Cladding is UV Stabilised
Wind resistant to 23m/s

Fire Resistance

Cladding is fire tested to '1Y' for BS 476

Guarantees, Warranties, Design-Life and Life-Expectancies

- 25 year structural guarantee*
- 34 year (min) life expectancy for Hot Dip Galvanizing
- 8-10 year life expectancy on standard powder coatings
- 10-15 year life expectancy on Duplex (Zinc Coated) powder coatings
- 10 years' manufacturers guarantees* on cladding material(s)
- 10 years' warranty* on material (only)
- 12 months' warranty* on parts & labour

*Maintenance and other qualifying criteria apply

Options

- Opal Cladding to the roof
- Powder Coating to a wide range of colours
- LED lighting or solar lighting
- Full installation service

Standard Unit Dimensions:

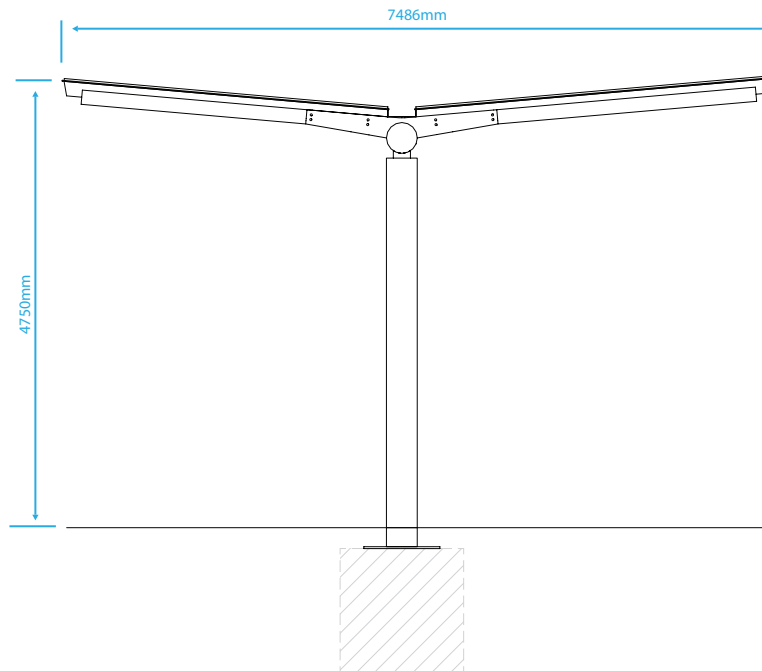
Bespoke sizes available

Colours/Finishes:

Galvanised Only	RAL 9006 White Aluminium	RAL 7016 Anthracite Grey
BS 4800 10 A 07 Nimbus Grey	RAL 3020 Traffic Red	RAL 9005 Jet Black
BS 4800 14 C 39 Holly Green	RAL 1023 Traffic Yellow	BS 4800 00 A 05 Goose Grey
RAL 5015 Mid Blue	RAL 5013 Dark Blue	RAL 9016 Traffic White

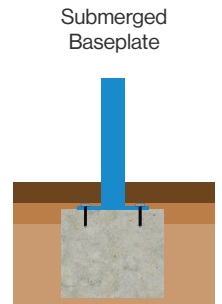
The colours shown are a guide only.
Please check a colour chart to see the actual colour.

Diagram



Please note: these details are specific to a bespoke project and are subject to change according to the requirements of each individual order.

Installation



Broxap Limited, Rowhurst Industrial Estate, Chesterton, Newcastle-under-Lyme, Staffordshire, ST5 6BD T: 01782 564411 E: info@broxap.com W: www.broxap.com



ISO 9001
Quality Management Systems
CERTIFIED

ISO 14001
Environmental Management
CERTIFIED

ISO 45001
Occupational Health and Safety Management
CERTIFIED

