

Sunburst Square Tree Grille 900 x 900mm

BX 1211

broxap[®]
street furniture



Standard Unit Dimensions:

Outside Measurement:
900mm x 900mm Square

Internal Aperture Diameter:
450mm

Weight: 48kg

Colours/Finishes:



Black

The colours shown are a guide only.
Please check a colour chart to see the
actual colour.

Product Information

Stylish cast iron square tree grille. Can be attached using spiked legged fitting or the actual frame can have specially fabricated lugs to allow them to be bolted together.

Features

- Stylish cast iron tree grille
- Prevents compaction of soil
- Black as standard

Materials Used

- Cast Iron

Fixing Information

- Frames are available as medium or heavy duty, the difference being the amount of central support provided.
- The tree frame is secured into a concrete base by either bolting or sinking the tangs into wet concrete.
- The concrete base sections should be approximately 150mm wide and 200mm deep to provide adequate support.
- The tree grille is secured to the frame using anti-theft clamps.

Options

- Other colours are available

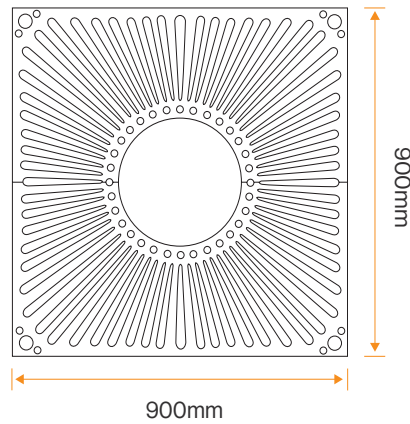
Broxap Limited, Rowhurst Industrial Estate, Chesterton, Newcastle-under-Lyme, Staffordshire, ST5 6BD T: 01782 564411 E: info@broxap.com W: www.broxap.com



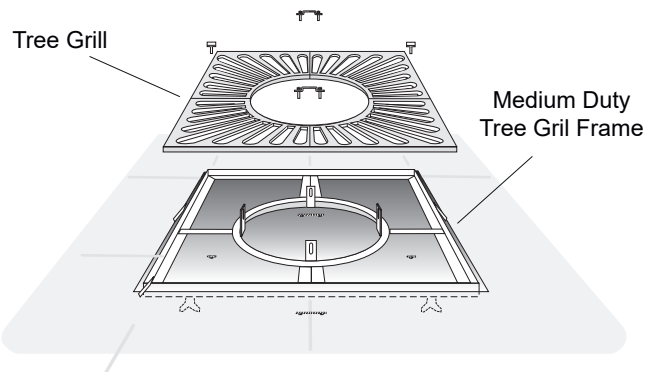
Sunburst Square Tree Grille
900 x 900mm

BX 1211

Diagram



Fixing



Standard Unit Dimensions:

Outside Measurement:
900mm x 900mm Square

Internal Aperture Diameter:
450mm

Weight: 48kg

Colours/Finishes:



Black

The colours shown are a guide only.
Please check a colour chart to see the
actual colour.

Anti-theft Clamp

Broxap's standard anti-theft clamps prevent unauthorised removal of grille segments and help to ensure correct alignment of individual pieces.

