

Riviere Square Hole Tree Grille 1200 x 1200mm

BX 434-3

broxap[®]
street furniture



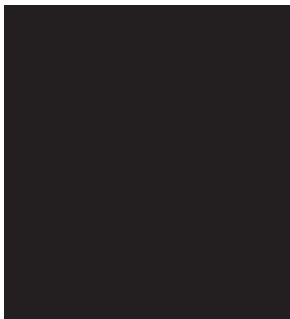
Standard Unit Dimensions:

Outside measurement:
1200mm x 1200mm

Internal aperture diameter:
500mm

Weight: 144kg

Colours/Finishes:



Black

The colours shown are a guide only.
Please check a colour chart to see the
actual colour.

Product Information

Cast iron square tree grille. Attached using spiked legged fitting or the actual frame can have specially fabricated lugs to allow them to be bolted together.

Features

- Cast Iron
- Tree Grille
- Prevents compaction of soil

Materials Used

- Cast Iron

Fixing Information

- Frames are available as medium or heavy duty, the difference being the amount of central support provided.
- The tree frame is secured into a concrete base by either bolting or sinking the tangs into wet concrete.
- The concrete base sections should be approximately 150mm wide and 200mm deep to provide adequate support.
- The tree grille is secured to the frame using anti-theft clamps.

Options

- Other colours are available
- Broxap can produce this type of grille with an Irrigation hole (both with or without a lid)

Broxap Limited, Rowhurst Industrial Estate, Chesterton, Newcastle-under-Lyme, Staffordshire, ST5 6BD T: 01782 564411 E: info@broxap.com W: www.broxap.com

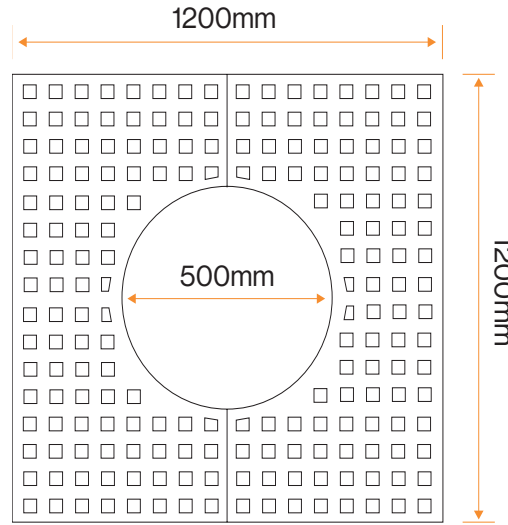


Riviere Square Hole Tree Grille
1200 x 1200mm

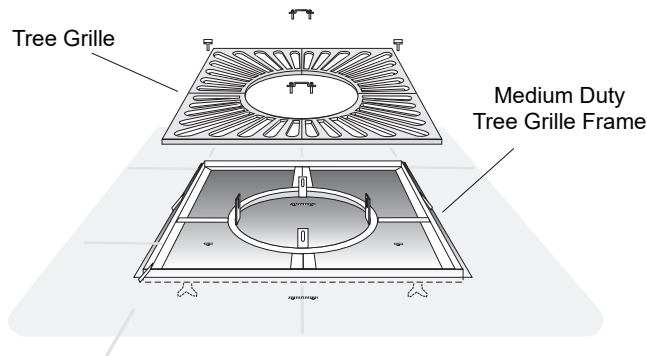
BX 434-3



Diagram



Fixing



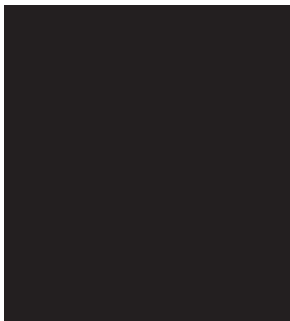
Standard Unit Dimensions:

Outside measurement:
1200mm x 1200mm

Internal aperture diameter:
500mm

Weight: 144kg

Colours/Finishes:

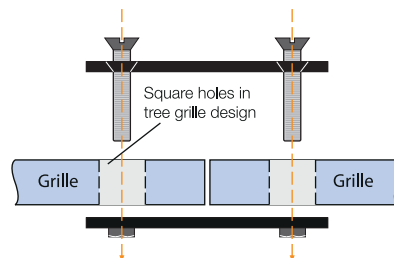


Black

The colours shown are a guide only.
Please check a colour chart to see the actual colour.

Anti-theft clamp

Broxap's standard anti-theft clamps prevent unauthorised removal of grille segments and help to ensure correct alignment of individual pieces.



Broxap Limited, Rowhurst Industrial Estate, Chesterton, Newcastle-under-Lyme, Staffordshire, ST5 6BD T: 01782 564411 E: info@broxap.com W: www.broxap.com

