

Witton Three Seat
BX71 WITTON THREE SEAT



Standard Unit Dimensions:

Length: 1560mm
 Width: 630mm
 Overall Height: 880mm
 Seat Height: 430mm
 Weight: 51kg

Colours/Finishes:

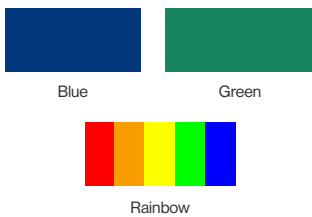
Standard Colours:



Black

Brown

Colours Available at Higher Cost:



Blue

Green

Rainbow

The colours shown are a guide only.
 Please check a colour chart to see the actual colour.

Product Information

Our premier recycled plastic bench, the stylish Witton Three Seat has a decorated back with space for an optional commemorative plaque. Made from 100% HDPE recycled plastic, this robust bench is maintenance free perfect for busy areas. It will not corrode, rot or splinter and will keep its appearance year after year.

Features

- Sits 3 people at any one time
- Maintenance free
- Weatherproof
- Surface mounted seat

Materials

- Recycled Plastic

Options

- Available with a commemorative plaque at extra cost

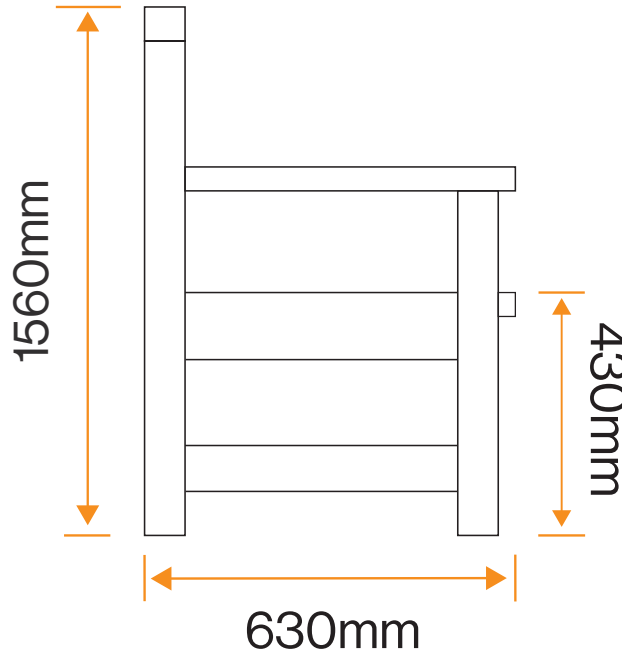
Broxap Limited, Rowhurst Industrial Estate, Chesterton, Newcastle-under-Lyme, Staffordshire, ST5 6BD T: 01782 564411 E: info@broxap.com W: www.broxap.com



Witton Three Seat
BX71 WITTON THREE SEAT



Diagram



Standard Unit Dimensions:

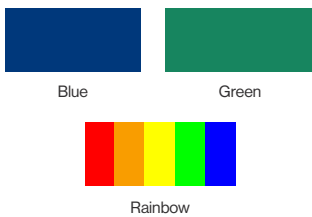
Length: 1560mm
 Width: 630mm
 Overall Height: 880mm
 Seat Height: 430mm
 Weight: 51kg

Colours/Finishes:

Standard Colours:

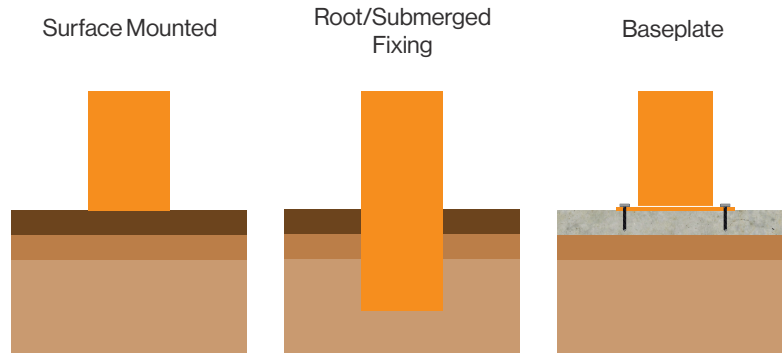


Colours Available at Higher Cost:



The colours shown are a guide only.
 Please check a colour chart to see the actual colour.

Installation



Broxap Limited, Rowhurst Industrial Estate, Chesterton, Newcastle-under-Lyme, Staffordshire, ST5 6BD T: 01782 564411 E: info@broxap.com W: www.broxap.com

